

EZL 2020-20 Mobile charger case

FEATURES

- Charging bays for 20 EK2020-D or HDE 2020-D receivers
- Charging bay for SK 2020-D
- Trickle charge
- Copy button copies the selected channel of one receiver to the 19 others and sets the volume to default

The EZL 2020-20L charger case

has been designed to be highly user-friendly. It acts as both the storage case for all equipment and charging station for the Tour Guide receivers and transmitter. Twenty charging bays for the receivers and two charging bays for the transmitter - or its rechargeable battery pack - are provided. Truly impressive feature of the charging case is the Copy button. All you need do is to set one receiver to the correct channel, press this button just once, and all of the other receivers in the case will immediately be set to the same channel.



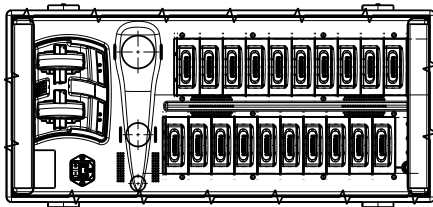
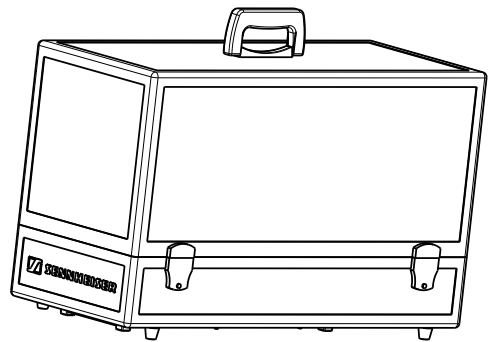
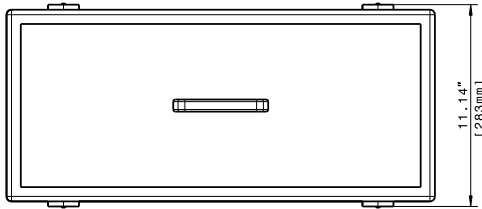
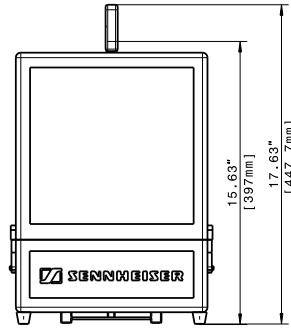
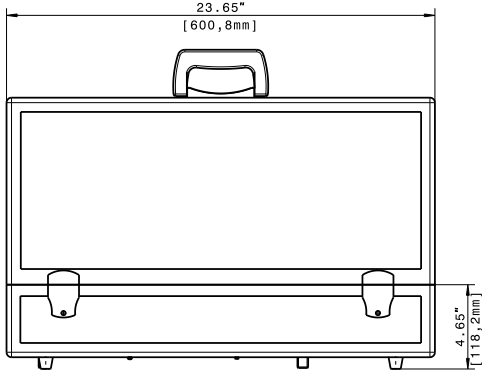
ARCHITECT'S SPECIFICATIONS

TECHNICAL DATA

Mains voltage	100–240 VAC (50/60 Hz)
Power consumption	max. 70 W
Charging time	< 2,5 hours HDE 2020-D < 5 hours EK 2020-D < 3,5 h SK 2020-D / BA 2015
Operating temperature	0 – 40 °C
Dimensions	600 x 270 x 380 mm (23.62" x 10.63" x 14.96")
Weight	8,3 kg (18.32 lbs)
Delivery includes.....	EZL 2020-20, 2020-D System Manual

EZL 2020-20 Mobile charger case

DIMENSIONS



Sicht ohne Deckel /
view without cover

PRODUCT VARIANTS

EZL 2020-20

Cat. No. 500542

RECOMMENDED ACCESSORIES

US mains cable, 1.8 m (5.91 ft), black

Cat. No. 054325

UK mains cable, 1.8 m (5.91 ft), black

Cat. No. 057256

Sennheiser electronic GmbH & Co. KG
Am Labor 1, 30900 Wedemark, Germany
www.sennheiser.com

 **SENNHEISER**